



SANDHYA FLEX RUBBERS & PVC PRODUCTS

AN ISO 9001:2015 Certified Company

CEMENT FEEDING RUBBER HOSE (HEAVY DUTY)

As per IS: IS: 13071-1991 Specification

Constuction

Core -	Black color, Synthetic and natural rubber blend resistant to abrasion.
Reinforcement -	High Tensile Synthetic Textile cord.
Cover -	Black color, Synthetic rubber resistant to ozone, weather and abrasion.
Application -	For Cement/ Plaster/ Sand placement in construction industries.Bulker Loading and Unloading Rubber Hose

SANDHYAFLEX Durable material handling solutions for cement and mining applications

Designed to last, our easy-to-install and maintain material handling solutions serve both the cement and mining industries. With the ability to handle the roughest materials, as well as sticky materials, we offer maximal flexibility when it comes to a tailored solution that fits your material handling needs

SANDHYAFLEX TECHNOLOGY

Strengthen your cement and mining material handling capabilities

We have been providing solutions to the cement and mining industries for over a century, equipping us with real-world experience and know-how that can be used alongside research and development (R&D) activities to produce material handling equipment to the highest standard.

Overcome your material handling challenges

SANDHYAFLEX service technicians understand that material handling in both the cement and mining industries require equipment that can withstand harsh conditions. Highly abrasive and

Manufacturer, Supplier and Exporter of Rubber and PVC Products.

**ADDRESS: Plot No 5-24-743/1/A, CHANDRAGIRI NAGAR , GAJULARAMARAM ,Medchal Dist.,500055 ,
Telangana State, India.**

Mobile No: Mob :9550921831,9392277917,.

Email: sandhyaaflex2020@gmail.com,sandhyaflexsales@gmail.com

Website: www.sandhyaflexrubber.com



SANDHYA FLEX RUBBERS & PVC PRODUCTS

AN ISO 9001:2015 Certified Company

CEMENT FEEDING RUBBER HOSE (HEAVY DUTY)

As per IS: IS: 13071-1991 Specification

hard materials accelerate equipment wear and tear, leading to increased costs for equipment and spare parts replacement, and costly maintenance.

We offer reliable material handling technologies to effectively transport bulk material throughout your cement plant and to extract bulk materials from under a dump hopper or regulated feed to a crusher. Depending on your material handling equipment needs, we can work with you to find a solution that meets your brief.

Built to endure

Backed by experience and know-how, we have carefully considered the challenges you face when handling rough bulk and feed materials, therefore, we have built our technologies to last. We have paid particular attention to the equipment wear parts and components because they bear the brunt of the hard knocks. We hard face and fabricate them with the toughest materials for increased longevity.

And while increasing energy efficiency, easing maintenance frequency and access, and keeping production shutdown to a minimum are things that you aspire to, our well-designed material handling equipment offer all of these benefits and more. Other advantages that you can gain from our material handling equipment include:

Ability to handle sticky material

- Highly flexible and hassle-free onsite installation
- Reliable operation

With you for every step

SANDHYAFLEX highly-trained management staff guarantee professional support through all phases of your material handling solution's life – from assembly and inspections to emergency services, or even offering their expertise if your material handling solution needs a full overhaul.

Manufacturer, Supplier and Exporter of Rubber and PVC Products.

**ADDRESS: Plot No 5-24-743/1/A, CHANDRAGIRI NAGAR , GAJULARAMARAM , Medchal Dist., 500055 ,
Telangana State, India.**

Mobile No: Mob :9550921831,9392277917,.

Email: sandhyaflex2020@gmail.com,sandhyaflexsales@gmail.com

Website: www.sandhyaflexrubber.com



SANDHYA FLEX RUBBERS & PVC PRODUCTS

AN ISO 9001:2015 Certified Company

CEMENT FEEDING RUBBER HOSE (HEAVY DUTY)

As per IS: IS: 13071-1991 Specification

Cement Feeding Rubber Hose

Cement Feeding Rubber Hose pipe manufactured in blended RMA Gum and synthetic SBR rubber tube reinforced with high tensile multiple plies of synthetic cord fabric with a helical steel wire used as heavy duty abrasion resistant suction hose for cement discharge fly ash dry bulk unloading in coal fired thermal power plants, cement making factories for abrasive material handling ash disposal application supplied as per SANDHYAFLEX's standards produced by SANDHYAFLEX Manufacturer, Supplier and exporters of Cement Feeding Rubber Hose to Malesiya, USA,

Cement Feeding Rubber Hose Abrasive Handling Hose 10 bar TECHNICAL SPECIFICATIONS: "SANDHYAFLEX"

ID = NB size range (mm)	Working Pressure (bar)	Rubber Tube (lining)	Cover & Finish	Reinforcement	Burst Pressure (bar) & Temperature
75 (3") 102 (4") 127 (5") 152 (6")	10 (=150 psi) Test Pressure 1.5 : 1 Vacuum: 750mm Hg	Gum RMA and Synthetic SBR anti-abrasive rubber blended; high abrasion resistant	SBR Synthetic rubber, Weather & abrasion resistant ; Plain Wrap BLACK color	Multiple plies of synthetic cord fabric with a helical steel wire & a static wire as a path to conduct a static electrical charge to ground	40 - 1°C to + 70°C Safety Factor 3 : 1

* **Roll Lengths** manufactured are 3 meters Min. (= 10 feet Approx.) and Max Length 15 meters produced in each size of Mandrel built woven ply hoses.

** **Packaging** in coils wrapped in HDPE straight stuffed from factory into direct truck/ trailer.

Manufacturer, Supplier and Exporter of Rubber and PVC Products.

ADDRESS: Plot No 5-24-743/1/A, CHANDRAGIRI NAGAR , GAJULARAMARAM ,Medchal Dist.,500055 ,
Telangana State, India.

Mobile No: Mob :9550921831,9392277917,.

Email: sandhyaaflex2020@gmail.com,sandhyaflexsales@gmail.com

Website: www.sandhyaflexrubber.com



SANDHYA FLEX RUBBERS & PVC PRODUCTS

AN ISO 9001:2015 Certified Company

CEMENT FEEDING RUBBER HOSE (HEAVY DUTY)

As per IS: IS: 13071-1991 Specification

***** End Fittings** like Molded Welded / Clamped Flanges as per Class ASA150, BS 10 Table D/E in MS or SS304 material or **Camlock Couplings** and any other customized end connections duly fitted with hose pipe also supplied.

****** Working Pressure 10 bar** rating and till 6" NB sizes also produced.

Manufacturer, Supplier and Exporter of Rubber and PVC Products.

ADDRESS: Plot No 5-24-743/1/A, CHANDRAGIRI NAGAR , GAJULARAMARAM ,Medchal Dist.,500055 ,
Telangana State, India.

Mobile No: Mob :9550921831,9392277917,.

Email: sandhyaflex2020@gmail.com,sandhyaflexsales@gmail.com

Website: www.sandhyaflexrubber.com



SANDHYA FLEX RUBBERS & PVC PRODUCTS

AN ISO 9001:2015 Certified Company

CEMENT FEEDING RUBBER HOSE (HEAVY DUTY)

As per IS: IS: 13071-1991 Specification

MS Flange Dimension of Class 150 Flanges As per ANSIB 16.5

Nominal Bore		OD	Wall Thickness	RFD	PCD	Holes Dai	No of Hose
ID INCH	ID mm	Mm	mm	Mm	mm		
3	80	190.5	23.8	127.0	152.4	19	4
4	100	230	23.8	157.2	190.5	19.0	8
5	125	254	23.8	185.7	215.9	22.2	8
6	150	279.4	25.4	215.9	241.3	22.2	8
8	200	342.9	28.6	269.9	298.4	22.2	8
10	250	406.4	30.2	323.8	361.9	25.4	12
12	300	482.6	31.8	381.0	431.8	25.4	12



Manufacturer, Supplier and Exporter of Rubber and PVC Products.

**ADDRESS: Plot No 5-24-743/1/A, CHANDRAGIRI NAGAR , GAJULARAMARAM ,Medchal Dist.,500055 ,
Telangana State, India.**

Mobile No: Mob :9550921831,9392277917,.

Email: sandhyaaflex2020@gmail.com,sandhyaflexsales@gmail.com

Website: www.sandhyaflexrubber.com



SANDHYA FLEX RUBBERS & PVC PRODUCTS

AN ISO 9001:2015 Certified Company

CEMENT FEEDING RUBBER HOSE (HEAVY DUTY)

As per IS: IS: 13071-1991 Specification

14	350	533.4	34.9	412.7	476.2	28.6	12
16	400	596.9	36.5	469.9	539.7	28.6	16
18	450	635	39.7	533.4	577.8	31.7	16
20	500	698.5	42.9	584.2	635.0	31.7	20
24	600	812	47.6	692.1	749.3	34.9	20



Manufacturer, Supplier and Exporter of Rubber and PVC Products.

**ADDRESS: Plot No 5-24-743/1/A, CHANDRAGIRI NAGAR , GAJULARAMARAM ,Medchal Dist.,500055 ,
Telangana State, India.**

Mobile No: Mob :9550921831,9392277917,.

Email: sandhyaflex2020@gmail.com,sandhyaflexsales@gmail.com

Website: www.sandhyaflexrubber.com



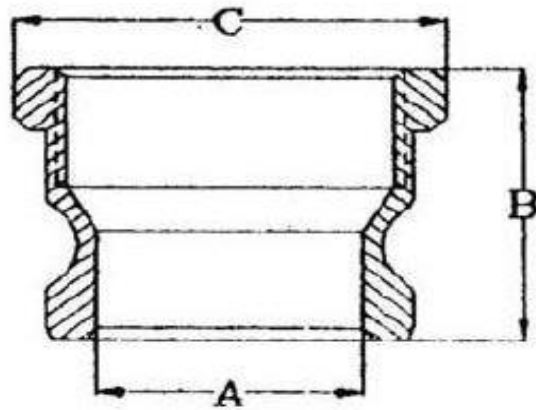
SANDHYA FLEX RUBBERS & PVC PRODUCTS

AN ISO 9001:2015 Certified Company

CEMENT FEEDING RUBBER HOSE (HEAVY DUTY)

As per IS: IS: 13071-1991 Specification

TYPE A Male Coupler X Female NPT



Size	1/2"	3/4"	1"	1-1/4"	1-1/2"	2"	2-1/2"	3"	4"	6"	
Size of Thread	1/2"	3/4"	1"	1-1/4"	1-1/2"	2"	2-1/2"	3"	4"	6"	
B: Overall Length	NPT	40.9	39	48.5	52.5	54.7	63.5	68	70	74.6	79.2
	BSPT	40.9	39	48.5	52.5	54.7	63.5	83	70	74.6	79.2
A: Min I.D.	14.3	21	23.8	30.8	38.5	46	58	73.2	98.2	150	
C: Max Across Corners of Adaptors	28.8	39.2	43.8	51.9	60.4	70.4	82.3	97.8	126.8	187.6	

Unit:mm

Manufacturer, Supplier and Exporter of Rubber and PVC Products.

ADDRESS: Plot No 5-24-743/1/A, CHANDRAGIRI NAGAR , GAJULARAMARAM ,Medchal Dist.,500055 ,
Telangana State, India.

Mobile No: Mob :9550921831,9392277917,.

Email: sandhyaflex2020@gmail.com,sandhyaflexsales@gmail.com

Website: www.sandhyaflexrubber.com



SANDHYA FLEX RUBBERS & PVC PRODUCTS

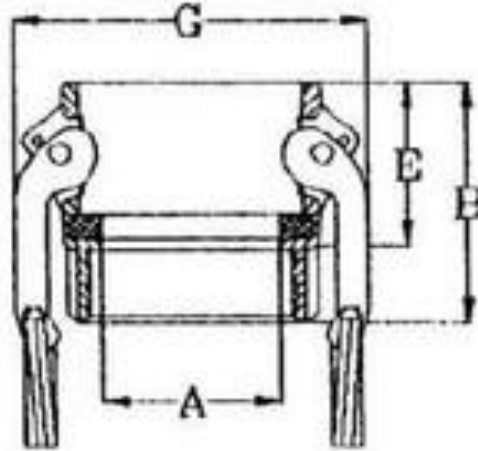
AN ISO 9001:2015 Certified Company

CEMENT FEEDING RUBBER HOSE (HEAVY DUTY)

As per IS: IS: 13071-1991 Specification

TYPE D

Female Coupler X Female NPT



Size	1/2"	3/4"	1"	1-1/4"	1-1/2"	2"	2-1/2"	3"	4"	6"
Size of Thread	1/2"	3/4"	1"	1-1/4"	1-1/2"	2"	2-1/2"	3"	4"	6"
G: Max O.D.	45.7	53.3	60.9	82.6	90.3	99.8	112.4	137.6	165.6	238.3
B: Overall Length	49.5	51	58.64	67.5	67	72.2	85.64	86.5	88.8	103.5
E: Exposed Length	31.4	32	39	44.5	45	50	54.3	55.5	55.5	65.5
A: Min. I.D.	18	21	25	34.9	39	50.8	63	76.2	100.8	152.6

Unit:mm

Manufacturer, Supplier and Exporter of Rubber and PVC Products.

ADDRESS: Plot No 5-24-743/1/A, CHANDRAGIRI NAGAR , GAJULARAMARAM ,Medchal Dist.,500055 ,
Telangana State, India.

Mobile No: Mob :9550921831,9392277917,.

Email: sandhyaflex2020@gmail.com,sandhyaflexsales@gmail.com

Website: www.sandhyaflexrubber.com



SANDHYA FLEX RUBBERS & PVC PRODUCTS

AN ISO 9001:2015 Certified Company

CEMENT FEEDING RUBBER HOSE (HEAVY DUTY)

As per IS: IS: 13071-1991 Specification

Sr.No	Description	Max Length
1	3" (75mm)ID x 5Mtr (LG) with Both End MS Flange as per ASA 150#	15Mtr
2	4" (100mm)ID x 5Mtr (LG) with Both End MS Flange as per ASA 150#	15 Mtr
3	5" (125mm)ID x 5Mtr (LG) with Both End MS Flange as per ASA 150#	15 Mtr
4	6" (150mm)ID x 5Mtr (LG) with Both End MS Flange as per ASA 150#	15 Mtr
5	8" (200mm)ID x 5Mtr (LG) with Both End MS Flange as per ASA 150#	06 Mtr
6	10" (250mm)ID x 5Mtr (LG) with Both End MS Flange as per ASA 150#	06 Mtr
7	12" (300mm)ID x 5Mtr (LG) with Both End MS Flange as per ASA 150#	06 Mtr
8	14" (300mm)ID x 5Mtr (LG) with Both End MS Flange as per ASA 150#	05 Mtr
9	16" (300mm)ID x 5Mtr (LG) with Both End MS Flange as per ASA 150#	05 Mtr



Manufacturer, Supplier and Exporter of Rubber and PVC Products.

**ADDRESS: Plot No 5-24-743/1/A, CHANDRAGIRI NAGAR , GAJULARAMARAM ,Medchal Dist.,500055 ,
Telangana State, India.**

Mobile No: Mob :9550921831,9392277917,.

Email: sandhyaaflex2020@gmail.com,sandhyaflexsales@gmail.com

Website: www.sandhyaflexrubber.com



SANDHYA FLEX RUBBERS & PVC PRODUCTS

AN ISO 9001:2015 Certified Company

CEMENT FEEDING RUBBER HOSE (HEAVY DUTY)

As per IS: IS: 13071-1991 Specification



Manufacturer, Supplier and Exporter of Rubber and PVC Products.

**ADDRESS: Plot No 5-24-743/1/A, CHANDRAGIRI NAGAR , GAJULARAMARAM ,Medchal Dist.,500055 ,
Telangana State, India.**

Mobile No: Mob :9550921831,9392277917,.

Email: sandhyaflex2020@gmail.com,sandhyaflexsales@gmail.com

Website: www.sandhyaflexrubber.com



SANDHYA FLEX RUBBERS & PVC PRODUCTS

AN ISO 9001:2015 Certified Company

CEMENT FEEDING RUBBER HOSE (HEAVY DUTY)

As per IS: IS: 13071-1991 Specification

CODE	Description	Images
SANDHYAFLE X-80NB- CFRH	3" (75mm)I D x 5Mtr (LG) with Both End MS Flange as per ASA 150#	

Manufacturer, Supplier and Exporter of Rubber and PVC Products.

ADDRESS: Plot No 5-24-743/1/A, CHANDRAGIRI NAGAR , GAJULARAMARAM ,Medchal Dist.,500055 ,
Telangana State, India.

Mobile No: Mob :9550921831,9392277917,.

Email: sandhyaaflex2020@gmail.com,sandhyaflexsales@gmail.com

Website: www.sandhyaflexrubber.com





SANDHYA FLEX RUBBERS & PVC PRODUCTS

AN ISO 9001:2015 Certified Company

CEMENT FEEDING RUBBER HOSE (HEAVY DUTY)

As per IS: IS: 13071-1991 Specification

<p>ANDHYAFLE X-75NB- CFRH</p>	<p>3" (75mm)l D x 5Mtr (LG)</p>	 
<p>SANDHYAFLE X-100NB- CFRH</p>	<p>4" (100mm)l D x 5Mtr (LG) with Both End MS Flange as</p>	

Manufacturer, Supplier and Exporter of Rubber and PVC Products.

**ADDRESS: Plot No 5-24-743/1/A, CHANDRAGIRI NAGAR , GAJULARAMARAM ,Medchal Dist.,500055 ,
Telangana State, India.**

Mobile No: Mob :9550921831,9392277917,.

Email: sandhyaflex2020@gmail.com,sandhyaflexsales@gmail.com

Website: www.sandhyaflexrubber.com



SANDHYA FLEX RUBBERS & PVC PRODUCTS

AN ISO 9001:2015 Certified Company

CEMENT FEEDING RUBBER HOSE (HEAVY DUTY)

As per IS: IS: 13071-1991 Specification

	<p>per ASA 150#</p>	
<p>SANDHYAFLE X-100NB- CFRH</p>	<p>4" (100mm) D x 5Mtr (LG)</p>	

Manufacturer, Supplier and Exporter of Rubber and PVC Products.

**ADDRESS: Plot No 5-24-743/1/A, CHANDRAGIRI NAGAR , GAJULARAMARAM ,Medchal Dist.,500055 ,
Telangana State, India.**

Mobile No: Mob :9550921831,9392277917,.

Email: sandhyaaflex2020@gmail.com,sandhyaflexsales@gmail.com

Website: www.sandhyaflexrubber.com



SANDHYA FLEX RUBBERS & PVC PRODUCTS

AN ISO 9001:2015 Certified Company

CEMENT FEEDING RUBBER HOSE (HEAVY DUTY)

As per IS: IS: 13071-1991 Specification

SANDHYAFLE X-125NB- CFRH	5" (125mm) D x 5Mtr (LG) with Both End MS Flange as per ASA 150#	
SANDHYAFLE X-125NB- CFRH	5" (125mm) D x 5Mtr (LG)	

Manufacturer, Supplier and Exporter of Rubber and PVC Products.

ADDRESS: Plot No 5-24-743/1/A, CHANDRAGIRI NAGAR , GAJULARAMARAM , Medchal Dist., 500055 ,
Telangana State, India.

Mobile No: Mob :9550921831,9392277917,.

Email: sandhyaaflex2020@gmail.com,sandhyaflexsales@gmail.com

Website: www.sandhyaflexrubber.com



SANDHYA FLEX RUBBERS & PVC PRODUCTS

AN ISO 9001:2015 Certified Company

CEMENT FEEDING RUBBER HOSE (HEAVY DUTY)

As per IS: IS: 13071-1991 Specification

SANDHYAFLE X-150NB- CFRH	6" (150mm) D x 5Mtr (LG) with Both End MS Flange as per ASA 150#		
SANDHYAFLE X-150NB- CFRH	6" (150mm) D x 5Mtr (LG)		

Manufacturer, Supplier and Exporter of Rubber and PVC Products.

**ADDRESS: Plot No 5-24-743/1/A, CHANDRAGIRI NAGAR , GAJULARAMARAM , Medchal Dist., 500055 ,
Telangana State, India.**

Mobile No: Mob :9550921831,9392277917,.

Email: sandhyaflex2020@gmail.com,sandhyaflexsales@gmail.com

Website: www.sandhyaflexrubber.com



SANDHYA FLEX RUBBERS & PVC PRODUCTS

AN ISO 9001:2015 Certified Company

CEMENT FEEDING RUBBER HOSE (HEAVY DUTY)

As per IS: IS: 13071-1991 Specification

<p>SANDHYAFLE X-200NB- CFRH</p>	<p>8" (200mm) I D with Both End MS Flange as per ASA 150#</p>	
<p>SANDHYAFLE X-200NB- CFRH</p>	<p>8" (200mm) I D</p>	

Manufacturer, Supplier and Exporter of Rubber and PVC Products.

**ADDRESS: Plot No 5-24-743/1/A, CHANDRAGIRI NAGAR , GAJULARAMARAM ,Medchal Dist.,500055 ,
Telangana State, India.**

Mobile No: Mob :9550921831,9392277917,.

Email: sandhyaflex2020@gmail.com,sandhyaflexsales@gmail.com

Website: www.sandhyaflexrubber.com



SANDHYA FLEX RUBBERS & PVC PRODUCTS

AN ISO 9001:2015 Certified Company

CEMENT FEEDING RUBBER HOSE (HEAVY DUTY)

As per IS: IS: 13071-1991 Specification

<p>SANDHYAFLE X-250NB- CFRH</p>	<p>10" (250mm) D with Both End MS Flange as per ASA 150#</p>	
<p>SANDHYAFLE X-250NB- CFRH</p>	<p>10" (250mm) D</p>	

Manufacturer, Supplier and Exporter of Rubber and PVC Products.

ADDRESS: Plot No 5-24-743/1/A, CHANDRAGIRI NAGAR , GAJULARAMARAM ,Medchal Dist.,500055 ,
Telangana State, India.

Mobile No: Mob :9550921831,9392277917,.

Email: sandhyaaflex2020@gmail.com,sandhyaflexsales@gmail.com

Website: www.sandhyaflexrubber.com



SANDHYA FLEX RUBBERS & PVC PRODUCTS

AN ISO 9001:2015 Certified Company

CEMENT FEEDING RUBBER HOSE (HEAVY DUTY)

As per IS: IS: 13071-1991 Specification

SANDHYAFLE X-300NB- CFRH	12" (300mm) with Both End MS Flange as per ASA 150#	
SANDHYAFLE X-300NB- CFRH	12" (300mm) I D	

Manufacturer, Supplier and Exporter of Rubber and PVC Products.

ADDRESS: Plot No 5-24-743/1/A, CHANDRAGIRI NAGAR , GAJULARAMARAM , Medchal Dist., 500055 ,
Telangana State, India.

Mobile No: Mob :9550921831,9392277917,.

Email: sandhyaflex2020@gmail.com,sandhyaflexsales@gmail.com

Website: www.sandhyaflexrubber.com



SANDHYA FLEX RUBBERS & PVC PRODUCTS

AN ISO 9001:2015 Certified Company

CEMENT FEEDING RUBBER HOSE (HEAVY DUTY)

As per IS: IS: 13071-1991 Specification

<p>SANDHYAFLE X-350NB- CFRH</p>	<p>14" (350mm) with Both End MS Flange as per ASA 150#</p>	
<p>SANDHYAFLE X-350NB- CFRH</p>	<p>14" (350mm) D</p>	

Manufacturer, Supplier and Exporter of Rubber and PVC Products.

ADDRESS: Plot No 5-24-743/1/A, CHANDRAGIRI NAGAR , GAJULARAMARAM ,Medchal Dist.,500055 ,
Telangana State, India.

Mobile No: Mob :9550921831,9392277917,.

Email: sandhyaflex2020@gmail.com,sandhyaflexsales@gmail.com

Website: www.sandhyaflexrubber.com



SANDHYA FLEX RUBBERS & PVC PRODUCTS

AN ISO 9001:2015 Certified Company

CEMENT FEEDING RUBBER HOSE (HEAVY DUTY)

As per IS: IS: 13071-1991 Specification

**SANDHYAFLE
X-400NB-
CFRH**

**16"
(400mm)
with Both
End MS
Flange as
per ASA
150#**



**SANDHYAFLE
X-400NB-
CFRH**

**16"
(400mm)
D**



Manufacturer, Supplier and Exporter of Rubber and PVC Products.

**ADDRESS: Plot No 5-24-743/1/A, CHANDRAGIRI NAGAR , GAJULARAMARAM ,Medchal Dist.,500055 ,
Telangana State, India.**

Mobile No: Mob :9550921831,9392277917,.

Email: sandhyaflex2020@gmail.com,sandhyaflexsales@gmail.com

Website: www.sandhyaflexrubber.com



SANDHYA FLEX RUBBERS & PVC PRODUCTS

AN ISO 9001:2015 Certified Company

CEMENT FEEDING RUBBER HOSE (HEAVY DUTY)

As per IS: IS: 13071-1991 Specification

Client List of Cement and Bulker Unloading Fly Ash Rubber Hose

S.No	State	Name of Company Or Costumers	S.No	State	Name of Company Or Costumers
1	Andhra Pradesh	Srikar Enterprises Pvt Ltd	48	Madhya Pradesh	M.K. Enterprises
2	Pune	RMC Readymix	49	Odisha	Nava Bharat Ventures Limited
3	Telangana	T-Safe Trade Links	50	Madhya Pradesh	Omega Engineers
4	Andhra Pradesh	Gas Power Corporation Ltd	51	Maharashtra	P.VENKATA RAMANAIH ENGINEERS & CONTRACTORS PRIVATE LIMITED
5	Telangana	Sai Sharan Estates	52	Telangana	Sanvira Industries Limited
6	Telangana	Visaka Industries Ltd	53	Andhra Pradesh	SHRE DJHA ENTERPRISES
7	Telangana	MAC Trading Corporation	54	Pune	Suyog Enterprises
8	Maharashtra	P.V. Engineering	55	Maharashtra	TECHNOLOGY RESOURCE PARTNER
9	Telangana	RVPR Constructions Pvt Ltd	56	Andhra Pradesh	Aarush Building Materials Pvt Ltd,
10	Karnataka	S.K.B. Builders India Ltd	57	Telangana	Accurate Rubber Products Co
11	Pune	Sana Engineering	58	Tamilnadu	A S Cements
12	Chennai	Hugros Inc	59	Tamilnadu	Noble Construction Equipments
13	Telangana	AMR India Ltd	60	Karnataka	SOUTHERN ENTERPRISES
14	Karnataka	Malwa Infracon Pvt Ltd	61	Karnataka	Tejas Superstructure Pvt Ltd
15	Andhra Pradesh	Sahyadri Industries Ltd	62	Tamilnadu	Vishnu Engineering
16	Karur	Sai Environmental Solutions	63	Odisha	Dash Technocrats
17	Thane	Cross Engineers	64	Gujrat	Globcon Industries Pvt LTD
18	Assam	Chandan Deka	65	Andhra Pradesh	KJR Ready Mix Concrete
19	Uttar Pradesh	Ganpati Advisory Ltd	66	Madhya Pradesh	M.K. Enterprises
20	Andhra Pradesh	Mahalaxmi Constructions	67	Tamilnadu	Noble Construction Equipments
21	Chennai	India Cement Engineering	68	Punjab	Pneumatic India
22	Tamilnadu	Durga Devi Traders,	69	Maharashtra	R.D.Infra Equipments Pvt Ltd
23	Maharashtra	Eagle Infra India Ltd	70	Tamilnadu	Sundaram Industries Private Limited
24	Telangana	Mahasethu Infra Projects Private Limited	71	Tamilnadu	Tamil Nadu Newsprint and Papers Limited
25	Karnataka	RAMSHREE GLOBAL CONSTRUCTIONS PVT LTD	72	Telangana	Uday Industries
26	Bangalore	Sarhani Constructions.	73	Tamilnadu	CORAL CEMENTS,
27	Andhra Pradesh	SRIKAR ENTERPRISES PVT LTD	74	USA	Eddy Pump Corporation
28	Maharashtra	Cleantec Infra Pvt Ltd	75	Telangana	RVPR CONSTRUCTIONS PRIVATE LIMITED
29	Nagpur	Radhesons Enterprises	76	Andhra Pradesh	S.B Enterprises
30	Andhra Pradesh	Sahydrai Industries Ltd	77	Andhra Pradesh	SHRE DJHA ENTERPRISES
31	Delhi	Sol Infra Spares	78	Utter Pradesh	Shree Anandeshwar Industrial Crporation
32	Pune	Suyog Enterprises	79	Maharashtra	SHREE BALAJI MARKETERS
33	Andhra Pradesh	Bondada Engineering Pvt Ltd	80	Maharashtra	Siddhivinayak Automation
34	Tamilnadu	HI-TECH FLYASH (INDIA) PRIVATE LIMITED	81	Maharashtra	Bharucha & Company
35	Haryana	JKM Enterprises	82	Andhra Pradesh	Blue Ocean Biotech Private Limited
36	Telangana	RVPR CONSTRUCTIONS PRIVATE LIMITED	83	Karnataka	Vijay- Vihan-Creator (J.V)
37	Bhutan	Samphel Enterprises	84	Telangana	VISAKA INDUSTRIES LIMITED
38	Tamilnadu	INDIA CEMENT ENGINEERING,	85	Malaysia	VIYA HOLDING SDN BHD
39	Bihar	Gaurav Enterprprises	86	Andhra Pradesh	GREENWAY BUILDING MATERIALS INDIA PRIVATE LIMITED

Manufacturer, Supplier and Exporter of Rubber and PVC Products.

ADDRESS: Plot No 5-24-743/1/A, CHANDRAGIRI NAGAR , GAJULARAMARAM , Medchal Dist., 500055 ,
Telangana State, India.

Mobile No: Mob :9550921831,9392277917,.

Email: sandhyaflex2020@gmail.com,sandhyaflexsales@gmail.com

Website: www.sandhyaflexrubber.com



SANDHYA FLEX RUBBERS & PVC PRODUCTS

AN ISO 9001:2015 Certified Company

CEMENT FEEDING RUBBER HOSE (HEAVY DUTY)

As per IS: IS: 13071-1991 Specification

40	Kochi	INDUS TRADE LINKS	87	Maharashtra	G.H Khandelwal New Congress Nagar
41	Telangana	Sudha Urethane	88	CHENNAI	MAGMA ASH TECH
42	Karnataka	Chandrika Marine Service	89	Delhi	R.K.BUILD CARE PVT .LTD
43	Gwalior	Omega Engineers	90	Telangana	Uday Industries
44	Maharashtra	TECHNOLOGY RESOURCE PARTNER	91	Maharashtra	J.P. Enterprises
45	Telangana	Balaji Enterprises	92	Gujrat	KM ASSOCIATES
46	Telangana	GANGA ENTERPRISES	93	Kerala	VIJAYACHANDRA BUILDING PRODUCTS PVT LTD
47	Maharashtra	AVIA CONSTRUCTION GROUP PVT LTD			

Manufacturer, Supplier and Exporter of Rubber and PVC Products.

ADDRESS: Plot No 5-24-743/1/A, CHANDRAGIRI NAGAR , GAJULARAMARAM , Medchal Dist., 500055 ,
Telangana State, India.

Mobile No: Mob :9550921831,9392277917,.

Email: sandhyaaflex2020@gmail.com,sandhyaflexsales@gmail.com

Website: www.sandhyaflexrubber.com



SANDHYA FLEX RUBBERS & PVC PRODUCTS

AN ISO 9001:2015 Certified Company

CEMENT FEEDING RUBBER HOSE (HEAVY DUTY)

As per IS: IS: 13071-1991 Specification

Size: 3" (75mm) ID x 5.0Mtr (LG) with Both End MS Flange

OD	S.No.	Description	Thickness
82.20	1	Lining	3.00
85.40	2	2 Ply (Reinforcement)	0.80
87.40	4	Middle	1.00
0.00	3	MS Wire 14 SWG	2.00
89.40	4	Middle	1.00
91.00	5	1Ply (Reinforcement)	0.80
94.00	6	Cover	1.50

Wall Thickness:8.0kmm

Working Pressure:10 Bar (10Kg/cm²)

Proof Pressure:1.5 times of W.P.

Bursting Pressure: 3 times of W.P.

Reinforcement: 2 or 3 galvanized wire helices embedded in layers of Rubber compounds

End Connection: Built – in- Flange Type

Maxim length: 15 Mtr Maximum

Application: Suction & Discharge of Sand and Gravel, Mud Slurry, Concrete Slurry /Mining Particles etc.

Bore: Smooth Bore

Bending Radius:10xInner Diameter of Hose (750mm)

Vacuum:Minimum700mmHg (0.9Bar)

Lining material:NR/SBR Resistant to the passage of Abrasive and Corrosive Products

Hardness-50 to 60 Shore A.

Carcass: Synthetic Textile Plies with Embedded Steel Helix

Coating Material: Resistance to Severe and Bad Weather

Temperature: @1 Deg C to 100 Deg C

Manufacturer, Supplier and Exporter of Rubber and PVC Products.

**ADDRESS: Plot No 5-24-743/1/A, CHANDRAGIRI NAGAR , GAJULARAMARAM ,Medchal Dist.,500055 ,
Telangana State, India.**

Mobile No: Mob :9550921831,9392277917,.

Email: sandhyaaflex2020@gmail.com,sandhyaflexsales@gmail.com

Website: www.sandhyaflexrubber.com



SANDHYA FLEX RUBBERS & PVC PRODUCTS

AN ISO 9001:2015 Certified Company

CEMENT FEEDING RUBBER HOSE (HEAVY DUTY)

As per IS: IS: 13071-1991 Specification

Size: 4" (100mm) ID x 5.0Mtr (LG) With Both End MS Flange

OD	S. No.	Description	Thickness
109.60	1	Lining	4.00
112.80	2	2 Ply (Reinforcement)	0.80
114.80	4	Middle	1.00
0.00	3	MS Wire 12 SWG	2.60
116.80	4	Middle	1.00
118.40	5	2 Ply (Reinforcement)	0.80
121.40	6	Cover	1.50

Wall Thickness:9.0kmm

Working Pressure:10 Bar (10Kg/cm2)

Proof Pressure:1.5 times of W.P.

Bursting Pressure: 3 times of W.P.

Reinforcement: 2 or 3 galvanized wire helices embedded in layers of Rubber compounds

End Connection: Built –in- Flange Type

Maxim length: 15 Mtr Maximum

Application: Suction & Discharge of Sand and Gravel, Mud Slurry, Concrete Slurry /Mining Particles etc.

Bore: Smooth Bore

Bending Radius:10xInner Diameter of Hose (1000mm)

Vacuum: Minimum700mmHg (0.9Bar)

Lining material: NR/SBR Resistant to the passage of Abrasive and Corrosive Products

Hardness-50 to 60 Shore A.

Carcass: Synthetic Textile Plies with Embedded Steel Helix

Coating Material: Resistance to Severe and Bad Weather

Temperature: @1 Deg C to 100 Deg C

Manufacturer, Supplier and Exporter of Rubber and PVC Products.

**ADDRESS: Plot No 5-24-743/1/A, CHANDRAGIRI NAGAR , GAJULARAMARAM ,Medchal Dist.,500055 ,
Telangana State, India.**

Mobile No: Mob :9550921831,9392277917,.

Email: sandhyaaflex2020@gmail.com,sandhyaflexsales@gmail.com

Website: www.sandhyaaflexrubber.com



SANDHYA FLEX RUBBERS & PVC PRODUCTS

AN ISO 9001:2015 Certified Company

CEMENT FEEDING RUBBER HOSE (HEAVY DUTY)

As per IS: IS: 13071-1991 Specification

Size: 5" (125mm) ID x 5.0Mtr (LG) with Both End MS Flange

125.00	S. No.	Description	Thickness
135.00	1	Lining	4.00
138.20	2	2 Ply (Reinforcement)	0.80
141.20	4	Middle	1.50
0.00	3	MS Wire 10 SWG	3.20
144.20	4	Middle	1.50
147.40	5	2 Ply (Reinforcement)	0.80
150.40	6	Cover	1.50

Wall Thickness:12.0kmm

Working Pressure:10 Bar (10Kg/cm²)

Proof Pressure:1.5 times of W.P.

Bursting Pressure: 3 times of W.P.

Reinforcement: 2 or 3 galvanized wire helices embedded in layers of Rubber compounds

End Connection: Built –in- Flange Type

Maximum length: 15.0Mtr Maximum

Application: Suction & Discharge of Sand and Gravel, Mud Slurry, Concrete Slurry /Mining Particles etc.

Bore: Smooth Bore

Bending Radius:10xInner Diameter of Hose (1250mm)

Vacuum: Minimum700mmHg (0.9Bar)

Lining material: NR/SBR Resistant to the passage of Abrasive and Corrosive Products

Hardness-50 to 60 Shore A.

Carcass: Synthetic Textile Plies with Embedded Steel Helix

Coating Material: Resistance to Severe and Bad Weather

Temperature: @1 Deg C to 100 Deg C

Manufacturer, Supplier and Exporter of Rubber and PVC Products.

**ADDRESS: Plot No 5-24-743/1/A, CHANDRAGIRI NAGAR , GAJULARAMARAM ,Medchal Dist.,500055 ,
Telangana State, India.**

Mobile No: Mob :9550921831,9392277917,.

Email: sandhyaaflex2020@gmail.com,sandhyaflexsales@gmail.com

Website: www.sandhyaflexrubber.com



SANDHYA FLEX RUBBERS & PVC PRODUCTS

AN ISO 9001:2015 Certified Company

CEMENT FEEDING RUBBER HOSE (HEAVY DUTY)

As per IS: IS: 13071-1991 Specification

Size: 6" (150mm) ID x 6.0Mtr (LG) with Both End MS Flange

OD	S. No.	Description	Thickness
162.40	1	Lining	5.00
165.60	2	2 Ply (Reinforcement)	0.80
167.60	4	Middle	1.00
0.00	3	MS Wire 12 SWG	2.60
169.60	4	Middle	1.00
172.80	5	2 Ply (Reinforcement)	0.80
176.80	7	Middle	1.00
0.00	6	MS Wire 12 SWG	2.60
178.80	7	Middle	1.00
180.40	8	1 Ply (Reinforcement)	0.80
183.40	9	Cover	1.50

Wall Thickness:16.0kmm

Working Pressure:10 Bar (10Kg/cm²)

Proof Pressure:1.5 times of W.P.

Bursting Pressure: 3 times of W.P.

Reinforcement: 2 or 3 galvanized wire helices embedded in layers of Rubber compounds

End Connection: Built –in- Flange Type

Maxim length: 6.0Mtr Maximum

Application: Suction & Discharge of Sand and Gravel, Mud Slurry, Concrete Slurry /Mining Particles etc.

Bore: Smooth Bore

Bending Radius:10xInner Diameter of Hose (1500mm)

Vacuum: Minimum700mmHg (0.9Bar)

Lining material: NR/SBR Resistant to the passage of Abrasive and Corrosive Products

Hardness-50 to 60 Shore A.

Carcass: Synthetic Textile Plies with Embedded Steel Helix

Coating Material: Resistance to Severe and Bad Weather

Temperature: @1 Deg C to 100 Deg C

Manufacturer, Supplier and Exporter of Rubber and PVC Products.

**ADDRESS: Plot No 5-24-743/1/A, CHANDRAGIRI NAGAR , GAJULARAMARAM ,Medchal Dist.,500055 ,
Telangana State, India.**

Mobile No: Mob :9550921831,9392277917,.

Email: sandhyaflex2020@gmail.com,sandhyaflexsales@gmail.com

Website: www.sandhyaflexrubber.com



SANDHYA FLEX RUBBERS & PVC PRODUCTS

AN ISO 9001:2015 Certified Company

CEMENT FEEDING RUBBER HOSE (HEAVY DUTY)

As per IS: IS: 13071-1991 Specification

Size:8" (200mm) ID x 6.0Mtr (LG) with Both End MS Flange

OD	S. No.	Description	Thickness
213.20	1	Lining	5.00
216.40	2	2 Ply (Reinforcement)	0.80
218.40	4	Middle	1.00
0.00	3	MS Wire 10 SWG	3.20
220.40	4	Middle	1.00
223.60	5	2 Ply (Reinforcement)	0.80
227.60	7	Middle	1.00
0.00	6	MS Wire 10 SWG	3.20
229.60	7	Middle	1.00
232.80	8	2 Ply (Reinforcement)	0.80
235.80	9	Cover	1.50

Wall Thickness:16.3kmm

Working Pressure:10 Bar (10Kg/cm²)

Proof Pressure:1.5 times of W.P.

Bursting Pressure: 3 times of W.P.

Reinforcement: 2 or 3 galvanized wire helices embedded in layers of Rubber compounds

End Connection: Built -in- Flange Type

Maxim length: 6.0Mtr maximum

Application: Suction & Discharge of Sand and Gravel, Mud Slurry, Concrete Slurry /Mining Particles etc.

Bore: Smooth Bore

Bending Radius:10xInner Diameter of Hose (2000mm)

Vacuum: Minimum700mmHg (0.9Bar)

Lining material: NR/SBR Resistant to the passage of Abrasive and Corrosive Products

Hardness-50 to 60 Shore A.

Carcass: Synthetic Textile Plies with Embedded Steel Helix

Coating Material: Resistance to Severe and Bad Weather

Temperature: @1 Deg C to 100 Deg C

Manufacturer, Supplier and Exporter of Rubber and PVC Products.

**ADDRESS: Plot No 5-24-743/1/A, CHANDRAGIRI NAGAR , GAJULARAMARAM ,Medchal Dist.,500055 ,
Telangana State, India.**

Mobile No: Mob :9550921831,9392277917,.

Email: sandhyaaflex2020@gmail.com,sandhyaflexsales@gmail.com

Website: www.sandhyaaflexrubber.com



SANDHYA FLEX RUBBERS & PVC PRODUCTS

AN ISO 9001:2015 Certified Company

CEMENT FEEDING RUBBER HOSE (HEAVY DUTY)

As per IS: IS: 13071-1991 Specification

Size:10" (250mm) ID x 6.0Mtr (LG) with Both End MS Flange

OD	S. No.	Description	Thickness
260.00	1	Lining	5.00
263.2	2	2 Ply (Reinforcement)	0.80
265.2	4	Middle	1.00
0.00	3	MS Wire 10 SWG	3.20
267.2	4	Middle	1.00
270.4	5	2 Ply (Reinforcement)	0.80
272.4	7	Middle	1.00
0.00	6	MS Wire 10 SWG	3.20
274.4	7	Middle	1.00
277.6	8	2 Ply (Reinforcement)	0.80
280.6	9	Cover	1.50

Wall Thickness:15.3kmm

Working Pressure:10 Bar (10Kg/cm²)

Proof Pressure:1.5 times of W.P.

Bursting Pressure: 3 times of W.P.

Reinforcement: 2 or 3 galvanized wire helices embedded in layers of Rubber compounds

End Connection: Built –in- Flange Type

Maxim length: 6.0 Mtr Maximum

Application: Suction & Discharge of Sand and Gravel, Mud Slurry, Concrete Slurry /Mining Particles etc.

Bore: Smooth Bore

Bending Radius:10xInner Diameter of Hose (2500mm)

Vacuum: Minimum700mmHg (0.9Bar)

Lining material: NR/SBR Resistant to the passage of Abrasive and Corrosive Products

Hardness-50 to 60 Shore A.

Carcass: Synthetic Textile Plies with Embedded Steel Helix

Coating Material: Resistance to Severe and Bad Weather

Temperature: @1 Deg C to 100 Deg C

Manufacturer, Supplier and Exporter of Rubber and PVC Products.

**ADDRESS: Plot No 5-24-743/1/A, CHANDRAGIRI NAGAR , GAJULARAMARAM ,Medchal Dist.,500055 ,
Telangana State, India.**

Mobile No: Mob :9550921831,9392277917,.

Email: sandhyaaflex2020@gmail.com,sandhyaflexsales@gmail.com

Website: www.sandhyaaflexrubber.com



SANDHYA FLEX RUBBERS & PVC PRODUCTS

AN ISO 9001:2015 Certified Company

CEMENT FEEDING RUBBER HOSE (HEAVY DUTY)

As per IS: IS: 13071-1991 Specification

Size: 12" (300mm) ID x 6.0Mtr (LG) with Both End MS Flange

OD	S. No.	Description	Thickness
318.00	1	Lining	9.00
322.80	2	3 Ply (Reinforcement)	0.80
0.00	3	MSWire 8 SWG	4.00
324.80	4	Middle	1.00
329.60	5	3 Ply (Reinforcement))	0.80
0.00	6	MSWire 10 SWG	4.00
331.60	7	Middle	1.00
336.40	8	3 Ply (Reinforcement))	0.80
339.40	9	Cover	1.50

Wall Thickness:20.0mm

Working Pressure:10 Bar (10Kg/cm²)

Proof Pressure:1.5 times of W.P.

Bursting Pressure: 3 times of W.P.

Reinforcement: 2 or 3 galvanized wire helices embedded in layers of Rubber compounds

End Connection: Built –in- Flange Type

Maxim length: 6.0Mtr Maximum

Application: Suction & Discharge of Sand and Gravel, Mud Slurry, Concrete Slurry /Mining Particles etc.

Bore: Smooth Bore

Bending Radius:10xInner Diameter of Hose (3000mm)

Vacuum: Minimum700mmHg (0.9Bar)

Lining material: NR/SBR Resistant to the passage of Abrasive and Corrosive Products

Hardness-50 to 60 Shore A.

Carcass: Synthetic Textile Plies with Embedded Steel Helix

Coating Material: Resistance to Severe and Bad Weather

Temperature: @1 Deg C to 100Deg C

Manufacturer, Supplier and Exporter of Rubber and PVC Products.

**ADDRESS: Plot No 5-24-743/1/A, CHANDRAGIRI NAGAR , GAJULARAMARAM ,Medchal Dist.,500055 ,
Telangana State, India.**

Mobile No: Mob :9550921831,9392277917,.

Email: sandhyaaflex2020@gmail.com,sandhyaflexsales@gmail.com

Website: www.sandhyaflexrubber.com



SANDHYA FLEX RUBBERS & PVC PRODUCTS

AN ISO 9001:2015 Certified Company

CEMENT FEEDING RUBBER HOSE (HEAVY DUTY)

As per IS: IS: 13071-1991 Specification

Siize:14" (350mm) ID x 5.0Mtr (LG) with Both End MS Flange

OD	S. No.	Description	Thickness
368.00	1	Lining	9.00
372.80	2	3 Ply (Reinforcement)	0.80
0.00	3	MS Wire 8 SWG	4.00
374.80	4	Middle	1.00
379.6	5	3 Ply (Reinforcement))	0.80
0.00	6	MS Wire 10 SWG	4.00
381.6	7	Middle	1.00
386.4	8	3 Ply (Reinforcement))	0.80
389.4	9	Cover	1.50

Wall Thickness-19.7mm

Working Pressure:10 Bar (10Kg/cm²)

Proof Pressure:1.5 times of W.P.

Bursting Pressure: 3 times of W.P.

Reinforcement: 2 or 3 galvanized wire helices embedded in layers of Rubber compounds

End Connection: Built –in- Flange Type

Maxim length: 6 Mtr

Application: Suction & Discharge of Sand and Gravel, Mud Slurry, Concrete Slurry /Mining Particles etc.

Bore: Smooth Bore

Bending Radius:10xInner Diameter of Hose (3500mm)

Vacuum: Minimum700mmHg (0.9Bar)

Lining material: NR/SBR Resistant to the passage of Abrasive and Corrosive Products

Hardness-50 to 60 Shore A.

Carcass: Synthetic Textile Plies with Embedded Steel Helix

Coating Material: Resistance to Severe and Bad Weather

Temperature: @1 Deg C to 100 Deg C

Manufacturer, Supplier and Exporter of Rubber and PVC Products.

**ADDRESS: Plot No 5-24-743/1/A, CHANDRAGIRI NAGAR , GAJULARAMARAM ,Medchal Dist.,500055 ,
Telangana State, India.**

Mobile No: Mob :9550921831,9392277917,.

Email: sandhyaaflex2020@gmail.com,sandhyaflexsales@gmail.com

Website: www.sandhyaaflexrubber.com



SANDHYA FLEX RUBBERS & PVC PRODUCTS

AN ISO 9001:2015 Certified Company

CEMENT FEEDING RUBBER HOSE (HEAVY DUTY)

As per IS: IS: 13071-1991 Specification

Size:16" (400mm) ID x 4.0Mtr (LG) with Both End MS Flange

OD	S. No.	Description	Thickness
420.00	1	Lining	10.00
424.8	2	3 Ply (Reinforcement)	0.80
0.00	3	MS Wire 8 SWG	4.00
427.8	4	Middle	1.50
432.6	5	3 Ply (Reinforcement))	0.80
0.00	6	MS Wire 10 SWG	4.00
435.6	7	Middle	1.50
440.4	8	3 Ply (Reinforcement))	0.80
443.4	9	Cover	1.50

Wall Thickness:21.70mm

Working Pressure:10 Bar (10Kg/cm²)

Proof Pressure:1.5 times of W.P.

Bursting Pressure: 3 times of W.P.

Reinforcement: 2 or 3 galvanized wire helices embedded in layers of Rubber compounds

End Connection: Built –in- Flange Type

Maxim length: 6 Mtr Maximum

Application: Suction & Discharge of Sand and Gravel, Mud Slurry, Concrete Slurry /Mining Particles etc.

Bore: Smooth Bore

Bending Radius:10xInner Diameter of Hose (4000mm)

Vacuum: Minimum700mmHg (0.9Bar)

Lining material: NR/SBR Resistant to the passage of Abrasive and Corrosive Products

Hardness-50 to 60 Shore A.

Carcass: Synthetic Textile Plies with Embedded Steel Helix

Coating Material: Resistance to Severe and Bad Weather

Temperature: @1 Deg C to 100 Deg C

Manufacturer, Supplier and Exporter of Rubber and PVC Products.

**ADDRESS: Plot No 5-24-743/1/A, CHANDRAGIRI NAGAR , GAJULARAMARAM ,Medchal Dist.,500055 ,
Telangana State, India.**

Mobile No: Mob :9550921831,9392277917,.

Email: sandhyaaflex2020@gmail.com,sandhyaflexsales@gmail.com

Website: www.sandhyaaflexrubber.com



SANDHYA FLEX RUBBERS & PVC PRODUCTS

AN ISO 9001:2015 Certified Company

CEMENT FEEDING RUBBER HOSE (HEAVY DUTY)

As per IS: IS: 13071-1991 Specification

Size:20" (500mm) ID x 4.0Mtr (LG) with Both End MS Flange

OD	S. No.	Description	Thickness
520.00	1	Lining	10.00
528.0	2	4 Ply (Reinforcement)	1.00
0.00	3	MS Wire 10 SWG	3.20
531.00	4	Middle	1.50
539.0	5	4 Ply (Reinforcement)	0.80
0.00	6	MS Wire 10 SWG	4.00
542.40	7	Middle	1.50
550.0	8	4 Ply (Reinforcement)	0.80
553.0	9	Cover	1.50

Wall Thickness:26.5mm

Working Pressure:10 Bar (10Kg/cm²)

Proof Pressure:1.5 times of W.P.

Bursting Pressure: 3 times of W.P.

Reinforcement: 2 or 3 galvanized wire helices embedded in layers of Rubber compounds

End Connection: Built –in- Flange Type

Maxim length: 6 Mtr Maximum

Application: Suction & Discharge of Sand and Gravel, Mud Slurry, Concrete Slurry /Mining Particles etc.

Bore: Smooth Bore

Bending Radius:10xInner Diameter of Hose (5000mm)

Vacuum: Minimum700mmHg (0.9Bar)

Lining material: NR/SBR Resistant to the passage of Abrasive and Corrosive Products

Hardness-50 to 60 Shore A.

Carcass: Synthetic Textile Plies with Embedded Steel Helix

Coating Material: Resistance to Severe and Bad Weather

Temperature: @1 Deg C to 100 Deg C

Manufacturer, Supplier and Exporter of Rubber and PVC Products.

**ADDRESS: Plot No 5-24-743/1/A, CHANDRAGIRI NAGAR , GAJULARAMARAM ,Medchal Dist.,500055 ,
Telangana State, India.**

Mobile No: Mob :9550921831,9392277917,.

Email: sandhyaflex2020@gmail.com,sandhyaflexsales@gmail.com

Website: www.sandhyaflexrubber.com



SANDHYA FLEX RUBBERS & PVC PRODUCTS

AN ISO 9001:2015 Certified Company

CEMENT FEEDING RUBBER HOSE (HEAVY DUTY)

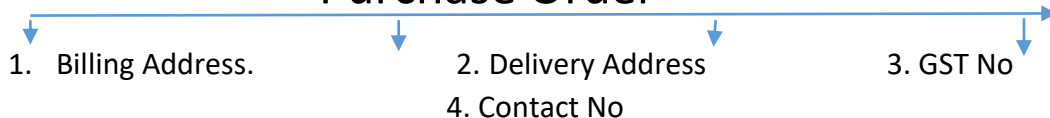
As per IS: IS: 13071-1991 Specification

BUSINESS POLICY

Inquiry

Quotation

Purchase Order



Performa Invoice

Advance Payment

Take in Production as per Purchase Order

After Completed Consignment Inform to Client for
Balance Payment

Dispatch the Material

Provide LR Copy

Manufacturer, Supplier and Exporter of Rubber and PVC Products.

**ADDRESS: Plot No 5-24-743/1/A, CHANDRAGIRI NAGAR , GAJULARAMARAM ,Medchal Dist.,500055 ,
Telangana State, India.**

Mobile No: Mob :9550921831,9392277917,.

Email: sandhyaaflex2020@gmail.com,sandhyaflexsales@gmail.com

Website: www.sandhyaflexrubber.com



SANDHYA FLEX RUBBERS & PVC PRODUCTS

AN ISO 9001:2015 Certified Company

CEMENT FEEDING RUBBER HOSE (HEAVY DUTY)

As per IS: IS: 13071-1991 Specification

Bank Details	
COMPANY NAME	SANDHYA FLEX RUBBERS & PVC PRODUCTS
Bank	HDFC Bank Ltd
Branch	5-80,HMT Road,Chintal, Jeedimetla,Qutubulapur Mandal Dist. R R ,Hyderabad-500054 Telangana
Account No	50200048046980
IFSC	HDFC0001041
PAN No	AMPPC8374G
GST NO	36AMPPC8374G1ZP

For More Information, Please Contact Us:

Mobile: 9652998932, 6304766851.

<mailto:sandhyaprises@gmail.com>

WhatsApp: 9652998932

YouTube: www.youtube.com/c/SANDHYAENTERPRISES

Website : <http://www.sandhyaflex.com/pvc-water-...>

Request a Quote : <https://www.sandhyaflex.com/contactus-1.php>

Manufacturer, Supplier and Exporter of Rubber and PVC Products.

ADDRESS: Plot No 5-24-743/1/A, CHANDRAGIRI NAGAR , GAJULARAMARAM ,Medchal Dist.,500055 ,
Telangana State, India.

Mobile No: Mob :9550921831,9392277917,.

Email: sandhyaflex2020@gmail.com,sandhyaflexsales@gmail.com

Website: www.sandhyaflexrubber.com